

面板安装尺寸  
Panel Cut-out

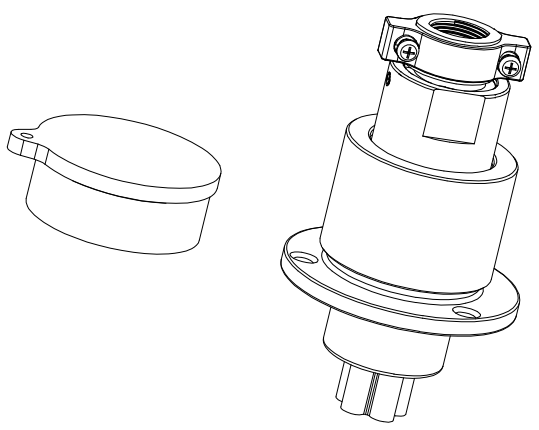
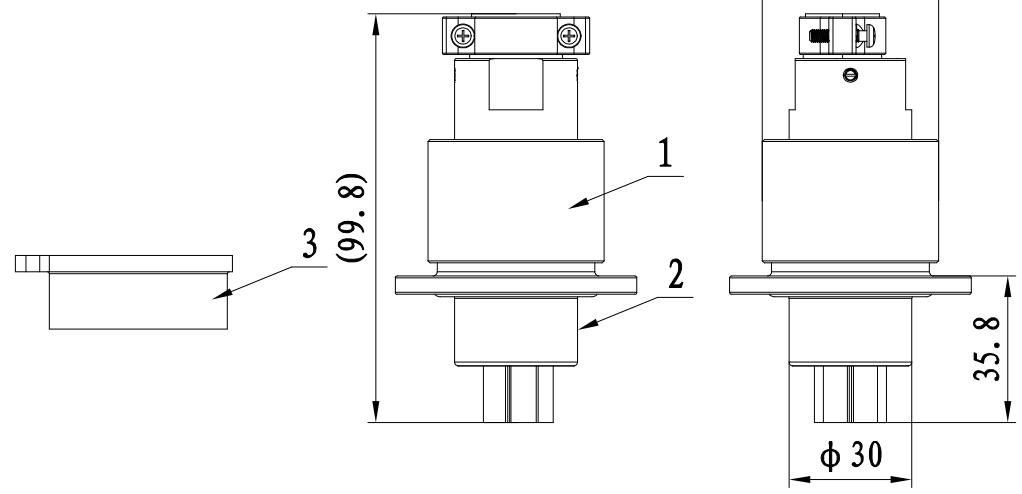
- 技术参数:
- 插针数: 6
  - 额定电流: 25A
  - 工作电压: 250V (AC)
  - 耐压: 2KV (AC)
  - 绝缘电阻: >2000M $\Omega$  (常态下)
  - 接触电阻: <1m $\Omega$
  - 外壳材料: 铜合金镀镍
  - 绝缘件: 热固性材料
  - 密封件: 橡胶
  - 振动: 10-2000Hz, 147m/s<sup>2</sup>, 瞬断<1us
  - 冲击: 加速度峰值490m/s<sup>2</sup>, 瞬断<1us
  - 机械寿命: >500
  - 锁定方式: 螺纹锁定
  - 线缆出线口直径:  $\phi 12.5$ mm
  - 相对湿度: 90%-95% (40 $\pm$ 2 $^{\circ}$ C时)
  - 工作温度: -40 $^{\circ}$ C...+105 $^{\circ}$ C
  - 防护等级: IP65

冷压针需另外订购  
order crimp contacts separately

- Technical specification:
- Number of contacts: 6
  - Rated current: 25A
  - Rated voltage: 250V (AC)
  - Rated impulse voltage: 2KV (AC)
  - Insulation resistance: >2000 M $\Omega$  (normal temperature)
  - Contact resistance: <1 m $\Omega$
  - Material of housing: The copper alloy plating nickel
  - Material of Insert: Thermosets
  - Sealing element: Rubber
  - Vibration: Frequency 10~2000Hz, accelerated speed 147m/s<sup>2</sup>, instant break <1us
  - Shock: Accelerated speed 490m/s<sup>2</sup>, instant break <1us
  - Mechanical working life: >500
  - Connector locking system: Thread locking
  - Cable and outlet diameter:  $\phi 12.5$ mm
  - Relative humidity: 90%~95% (40 $\pm$ 2 $^{\circ}$ C)
  - Working temperature: -40 $^{\circ}$ C~+105 $^{\circ}$ C
  - Pollution degree: IP65

冷压针型号  
order crimp designation

公插体 Insert male	CYGM-XX
母插体 Insert female	CYGF-XX



3	2690000009002	HY-Z30-CV			1	用于母插/for female
2	1690063201001	HY-Z3006-S01E0-GFC			1	
1	1690064101001	HY-T3006-S01E1-GMC			1	
序号/No.	零件料号/Part No.	零件名称/Part Name	材料/Material	规格/Specification	数量/Qty.	备注/Remark

产品代号 Part Code		HDC-HY3006E0E1GMC/GFC Z30CV		图号 Drawing No.		-	
比例 Scale	版本 REV.	重量 Weight	数量 Qty.	产品料号 Part No.	700000002970		
1:1	V1.0	-	-	组件名称 Module Name	HDC-HY3006E0E1GMC/GFC-Z30CV, 芯圆形成品套件		
绘图 Drawn	YP ZHU	日期/Date	09.04.2024	标准化 Stand.	-		
审核 Checked	Q GAO	日期/Date	09.04.2024	批准 Approved	HQ ZHANG 09.04.2024		
工艺 Process	-	-	-	All Dimensions in mm Original Size DIN A4			

