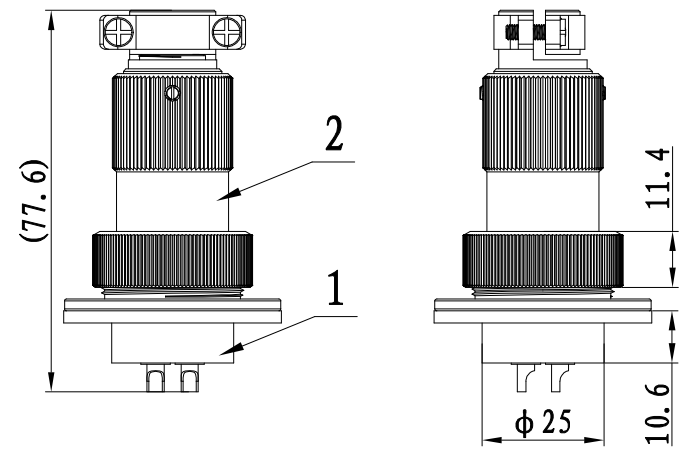


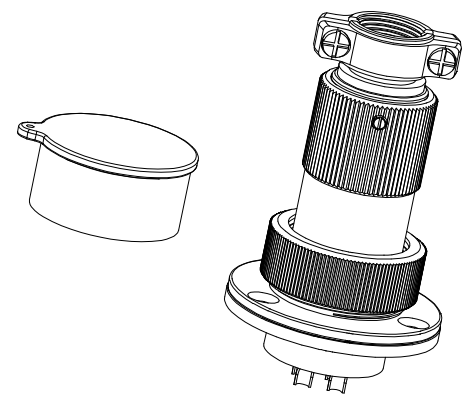
面板安装尺寸
Panel Cut-out

- 技术参数:
- 插针数: 4
 - 额定电流: 40A
 - 工作电压: 250V (AC)
 - 耐电压: 2.0KV (常温状态)
 - 绝缘电阻: >2000MΩ (常温状态)
 - 接触电阻: <0.75mΩ
 - 焊线规格: 公插: 2.0mm²-4.0mm² (焊线筒直径φ2.7mm)
母插: 2.0mm²-3.3mm² (焊线筒直径φ2.2mm)
 - 外壳材料: 铜合金镀镍
 - 插针材料: 铜合金镀金
 - 绝缘件: 热固性材料
 - 振动: 10-2000Hz, 147m/s², 瞬断<1us
 - 冲击: 加速度峰值490m/s², 瞬断<1us
 - 机械寿命: >500
 - 锁定方式: 螺纹锁定
 - 相对湿度: 90%-95% (40℃±2℃时)
 - 工作温度: -40℃...+105℃
 - 防护等级: IP65



- Technical specification:
- Number of contacts: 4
 - Rated current: 40A
 - Rated voltage: 250V (AC)
 - Rated impulse voltage: 2.0KV (normal temperature)
 - Insulation resistance: >2000 MΩ (normal temperature)
 - Contact resistance: <0.75 mΩ
 - Welding wire: Male: 2.0mm²-4.0mm² (Diameter φ2.7mm)
Female: 2.0mm²-3.3mm² (焊线筒直径φ2.2mm)
 - Material of housing: The copper alloy plating nickel
 - Material of contact: Gold-plated copper alloy
 - Material of insert: Thermosets
 - Vibration: Frequency 10-2000Hz, accelerated speed 147m/s², instant break <1us
 - Shock: Accelerated speed 490m/s², instant break <1us
 - Mating cycles: >500
 - Connector locking system: Thread locking
 - Relative humidity: 90%-95% (40℃±2℃)
 - Working temperature: -40℃—+105℃
 - Pollution degree: IP65

3	2690000009001	HY-Z25-CV			1	用于公插/for male
2	1690044231001	HY-T2504-S01E1-GF			1	
1	1690043131001	HY-Z2504-S01E0-GM			1	
序号/No.	零件料号/Part No.	零件名称/Part Name	材料/Material	规格/Specification	数量/Qty.	备注/Remark



产品代号 Part Code		HDC-HY2504B0E1GM/GF -Z25CV		图号 Drawing No.		-	
比例 Scale	版本 REV.	重量 Weight	数量 Qty.	产品料号 Part No.	700000002968		
1:1	V1.0	-	-	组件名称 Module Name	HDC-HY2504B0E1GM/GF-Z25CV, 4芯圆形成品套件		
绘图 Drawn	YP ZHU	日期/Date	08.04.2024	标准化 Stand.	-		
审核 Checked	Q GAO	日期/Date	08.04.2024	批准 Approved	-		
工艺 Process	-	日期/Date	-	批准 Approved	HQ ZHANG	08.04.2024	
All Dimensions in mm Original Size DIN A4				厦门唯恩电气有限公司 XIAMEN WAIN ELECTRICAL CO. LTD			