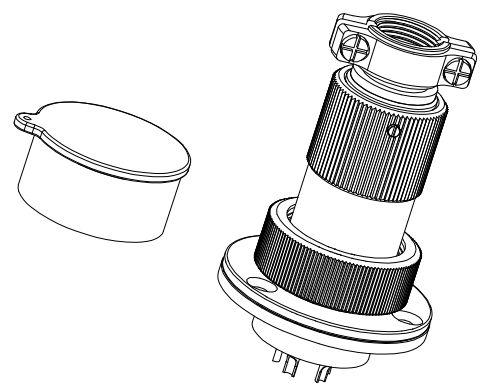
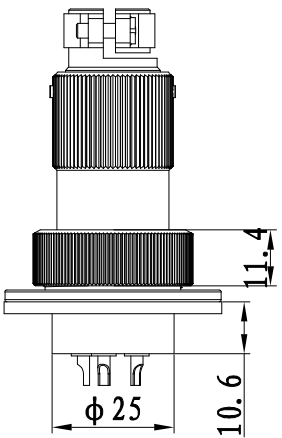
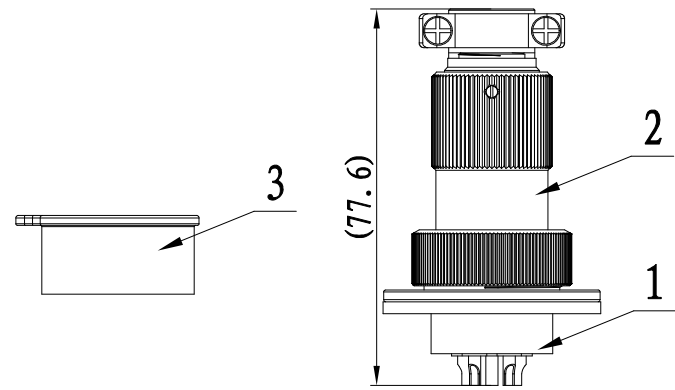


面板安装尺寸
Panel Cut-out

- 技术参数:
- 插针数: 5
 - 额定电流: 20A
 - 工作电压: 250V (AC)
 - 耐电压: 2.0KV (常温状态)
1.0KV (湿热状态)
 - 绝缘电阻: >2000MΩ (常温状态)
>50MΩ (湿热状态)
 - 接触电阻: <2mΩ
 - 焊线规格: 焊线筒直径φ1.8mm
 - 外壳材料: 铜合金镀镍
 - 插针材料: 铜合金镀金
 - 绝缘件: 热固性材料
 - 振动: 10-2000Hz, 147m/s², 瞬断<1us
 - 冲击: 加速度峰值490m/s², 瞬断<1us
 - 机械寿命: >500
 - 锁定方式: 螺纹锁定
 - 相对湿度: 90%-95% (40℃±2℃时)
 - 工作温度: -40℃...+105℃
 - 防护等级: IP65
- Technical specification:
- Number of contacts: 5
 - Rated current: 20A
 - Rated voltage: 250V (AC)
 - Rated impulse voltage: 2.0KV (normal temperature)
1.0KV (muggy)
 - Insulation resistance: >2000 MΩ (normal temperature)
> 50 MΩ (muggy)
 - Contact resistance: <2 mΩ
 - Welding wire: Diameter φ1.8mm
 - Material of housing: The copper alloy plating nickel
 - Material of contact: Gold-plated copper alloy
 - Material of insert: Thermosets
 - Vibration: Frequency 10~2000Hz, accelerated speed 147m/s², instant break <1us
 - Shock: Accelerated speed 490m/s², instant break <1us
 - Mating cycles: >500
 - Connector locking system: Thread locking
 - Relative humidity: 90%~95% (40℃±2℃)
 - Working temperature: -40℃~+105℃
 - Pollution degree: IP65



3	269000009001	HY-Z25-CV				1	用于公插/for Male			
2	1690054231001	HY-T2505-S01E1-GF				1				
1	1690053131001	HY-Z2505-S01E0-GM				1				
序号/No.	零件料号/Part No.	零件名称/Part Name	材料/Material	规格/Specification	数量/Qty.	备注/Remark				
			产品代号 Part Code	HDC-HY2505E0E1GM/GF -Z25CV	图号 Drawing No.	-				
标记 Mark	处数 Number	变更描述/Description	签名 Signature	日期 Date	比例 Scale	版本 REV.	重量 Weight	数量 Qty.	产品料号 Part No.	700000002969
		姓名/Name	日期/Date	姓名/Name	日期/Date	1:1	V1.0	-	组件名称 Module Name	HDC-HY2505E0E1GM/GF-Z25CV, 5芯圆形成品套件
绘图 Drawn	YP ZHU	08.04.2024	标准化 Stand.	-	-			厦门唯恩电气有限公司 XIAMEN WAIN ELECTRICAL CO. LTD		
审核 Checked	Q GAO	08.04.2024								
工艺 Process	-	-	批准 Approved	HQ ZHANG	08.04.2024					