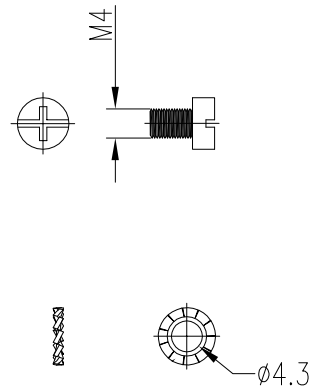
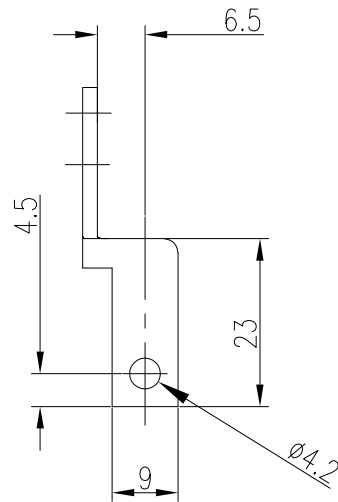
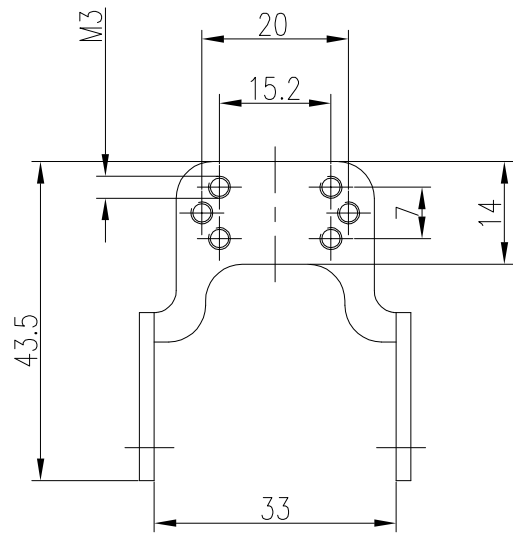
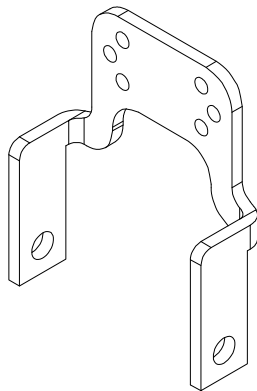


日期/Date  
 档案员  
 Filing Clerk



技术参数:  
 - 规格: 6B  
 - 材料: 铁  
 用于不封底下壳或高结构上壳

Technical specification:  
 - size: 6B  
 - Material: Iron  
 In housings bulkhead mounting and hoods, high construction



|               |  |              |  |                  |  |                 |  |                     |  |   |  |  |  |
|---------------|--|--------------|--|------------------|--|-----------------|--|---------------------|--|---|--|--|--|
|               |  |              |  |                  |  | 表面处理<br>Finish  |  | -                   |  | 图号<br>Drawing No.                             |  | -  |  |
|               |  |              |  |                  |  | 材料<br>Material  |  | -                   |  | 产品代号<br>Part Code                             |  | B6B-PE                                     |  |
| 标记<br>Mark    |  | 处数<br>Number |  | 变更描述/Description |  | 签名<br>Signature |  | 日期<br>Date          |  | 产品料号<br>Part No.                              |  | 1980020030001                              |  |
|               |  | 姓名/Name      |  | 日期/Date          |  | 姓名/Name         |  | 日期/Date             |  | 比例<br>Scale                                   |  | 版本<br>REV.                                 |  |
| 绘图<br>Drawn   |  | YP ZHU       |  | 19.12.2023       |  | -               |  | -                   |  | 重量<br>Weight                                  |  | 数量<br>Qty.                                 |  |
| 审核<br>Checked |  | Q GAO        |  | 19.12.2023       |  |                 |  |                     |  | 15.2g   |  | -  |  |
| 工艺<br>Process |  | -            |  | -                |  | 批准<br>Approved  |  | HQ ZHANG 19.12.2023 |  | All Dimensions in mm<br>Original Size DIN A 4 |  | 厦门唯恩电气有限公司<br>XIAMEN WAIN ELECTRICAL COLTD |  |