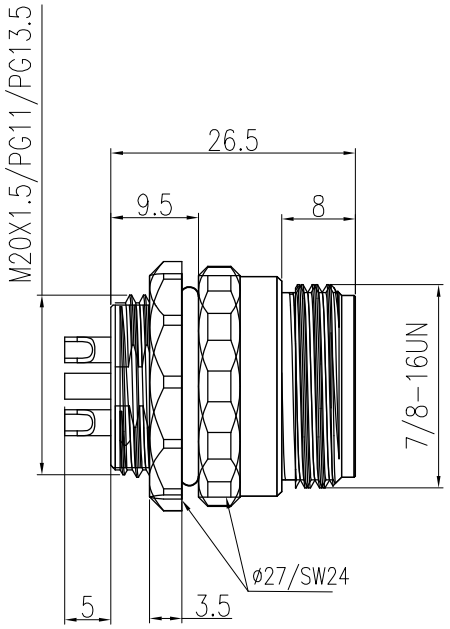
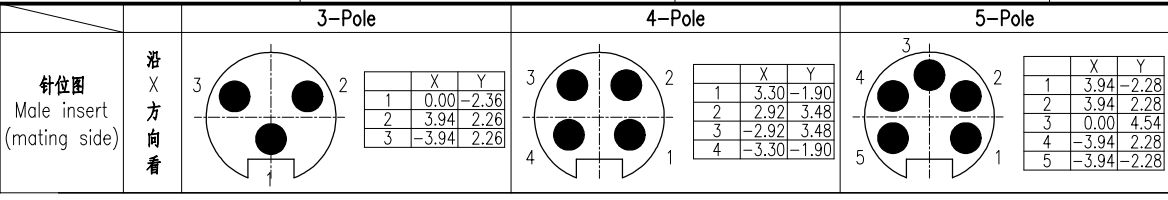


技术参数:

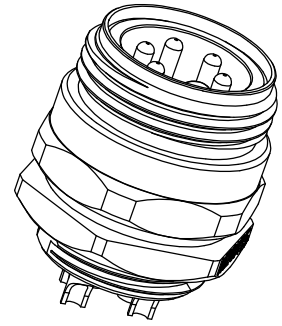
- 产品系列: 7/8
- 插针数: 3、4、5
- 额定电流(40℃): 10A、8A、8A
- 额定电压: 300V
- 额定脉冲电压: 2500V
- 污染等级: 3
- 接触电阻: $\leq 3m\Omega$
- 绝缘电阻: $\geq 100M\Omega$
- 锁紧方式: 螺纹7/8'-16UN锁紧
- 线规: $\max 1.5mm^2$ (max.AWG16)
- 绝缘材料组别: II
- 防护等级: IP67
- 插拔次数: > 100
- 温度范围: $-25^\circ C \dots +85^\circ C$
- 外壳材料: 铜合金镀镍
- 插体材料: TPU
- 插针材料: 铜合金
- 插针电镀材料: 金

Technical specification:

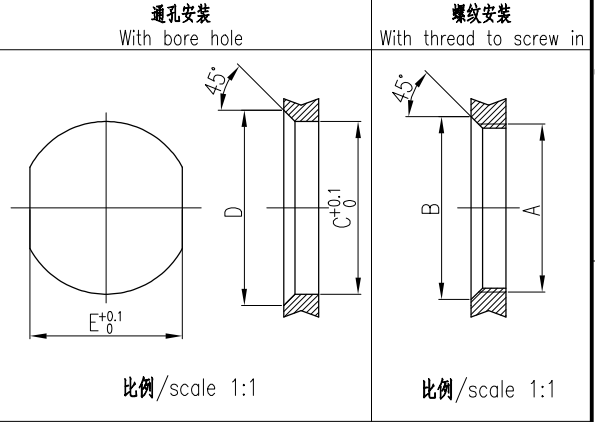
- Series: 7/8
- Number of contacts: 3, 4, 5
- Rated current (40℃): 10A, 8A, 8A
- Rated voltage: 300V
- Rated impulse voltage: 2500V
- Pollution degree: 3
- Contact resistance: $\leq 3m\Omega$
- Insulation resistance: $\geq 100M\Omega$
- Connector locking system: screw 7/8'-16UN
- wire gauge: $\max 1.5mm^2$ (max.AWG16)
- Material group: II
- Degree of protection: IP67
- Mating cycles: > 100
- Temperature range: $-25^\circ C \dots +85^\circ C$
- Material of housing: Copper alloy nickel plated
- Material of insert: TPU
- Material of contact: copper alloy
- Contact plating: Au



视角X



面板安装尺寸 Panel Cut-out



	A	B	C	D	E
PG11	PG11	20.2	18.7	20.2	17.0
PG13.5	PG13.5	22.2	20.5	22.2	18.8
M20x1.5	M20x1.5	21.6	20.1	21.6	17.8

插针数 Contacts	产品料号 Cable outlet	型号 Part Code	重量 Weight
5	1680053130500	7/8-M05-BK-M20-C	57 g
	1680053131501	7/8-M05-BK-PG13.5-C	57 g
	1680053131500	7/8-M05-BK-PG11-C	57 g
4	1680043014009	7/8-M04-BK-M20-C	56 g
	1680043131501	7/8-M04-BK-PG13.5-C	56 g
	1680043131500	7/8-M04-BK-PG11-C	56 g
3	1680033131502	7/8-M03-BK-M20-C	55 g
	1680033131501	7/8-M03-BK-PG13.5-C	55 g
	1680033131500	7/8-M03-BK-PG11-C	55 g

标记 Mark	处数 Number	变更描述/Description	签名 Signature	日期 Date	表面处理 Finish	材料 Material	图号 Drawing No.	产品代号 Part Code	产品料号 Part No.	产品名称 Part Name
绘图 Drawn	JS.WU	02.03.2024	标准化 Stand.					7/8-MXX-BK-XX-C		
审核 Checked	ZQ.XU	02.03.2024								
工艺 Process			批准 Approved	HQ.ZHANG	02.03.2024					

All Dimensions in mm
 Original Size DIN A 4

