

技术参数:

- 产品系列: M17
- 插针数: 7(6+PE)
- 插针直径(mm): $\phi 1$
- 接线范围(mm²/AWG): 0.03-1.5/AWG32-16
- 接线方式: 冷压连接
- 额定电流(25℃): 14A
- 额定电压: 630V
- 额定脉冲电压: 6KV
- 过电压保护等级: III
- 污染等级: 3
- 插针需单独订购。

机械参数:

- 外壳材质: 铜合金, 锌合金
- 外壳表面处理: 镀镍
- 插芯材质: PBT
- 密封材质: 氟橡胶
- 温度范围: -40℃...+130℃
- 电缆直径: 3.5-12mm 屏蔽
- 插拔次数: >500
- 防护等级: IP67

Technical specification:

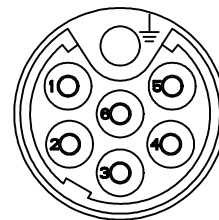
- Series: M17
- Number of contacts: 7(6+PE)
- Contact diameter(mm): $\phi 1$
- Wire gauge(mm²/AWG): 0.03-1.5/AWG32-16
- Terminal: Crimp
- Rated current(25℃): 14A
- Rated voltage: 630V
- Rated impulse voltage: 6KV
- Overvoltage category: III
- Pollution degree: 3

Mechanical specification:

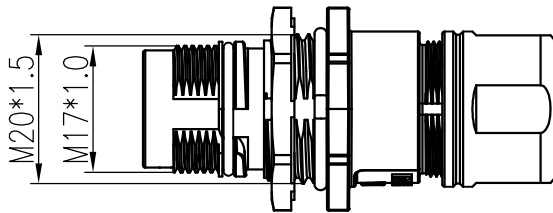
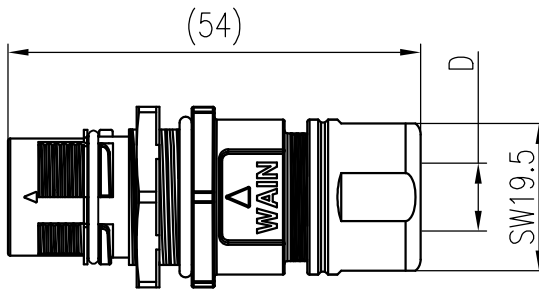
- Material of housing: CuZn,Zinc(GD-Zn)
- Finish of housing: Nickel-plated
- Material of Insert: PBT
- Material of sealing: FPM
- Temperature range: -40℃...+130℃
- Cable Outlet: 3.5-12mm Shielded
- Mating cycles: >500
- Degree of protection: IP67
- Contact need to be ordered separately.

| 插针数 Contacts | 电缆出口直径 ϕ Cable outlet | 产品料号 Cable outlet | 型号 Part Code | 重量 Weight |
|-----------------|-------------------------------|----------------------|------------------------|--------------|
| 7(6+PE) | 3.5-6mm | - | M17-007R-CCT/R-D6-SH | - |
| | 6-9.5mm | 1650077002509 | M17-007R-CCT/R-D9.5-SH | - |
| | 9.5-12 mm | 1650077002510 | M17-007R-CCT/R-D12-SH | - |

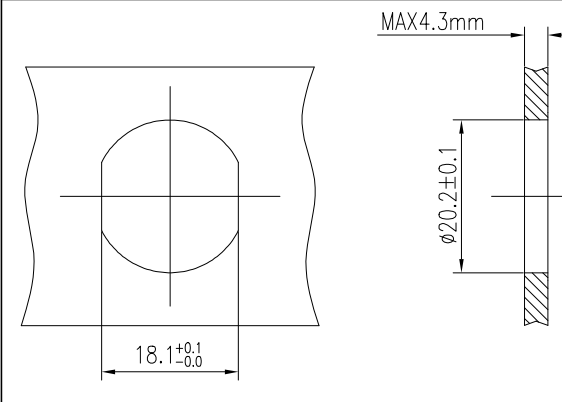
针位排布图
Contact arrangement



比例
Scale: 2:1



面板安装开孔图 Panel cut out



| 标记 Mark | 处数 Number | 变更描述/Description | 姓名/Name | 日期/Date | 表面处理 Finish | | | | | 图号 Drawing No. |
|---------------|--------------|------------------|----------------|----------|----------------|---|--------------|------------|--|--|
| | | | | | | | | | | - |
| | | | | | 材料 Material | | | | | 产品代号 Part Code |
| | | | | | | | | | | - |
| | | | | | 比例 Scale | 版本 REV. | 重量 Weight | 数量 Qty. | | 产品料号 Part No. |
| | | | | | 1:1 | V1.1 | - | - | | - |
| 绘图 Drawn | TC CHEN | 13.06.2022 | 标准化 Stand. | - | | | | | | 产品名称 Part Name |
| 审核 Checked | QZ XU | 13.06.2022 | | | | | | | | - |
| 工艺 Process | - | - | 批准 Approved | HQ ZHANG | 13.06.2022 | All Dimensions in mm Original Size DIN A 4 | | | | 厦门唯恩电气有限公司 XIAMEN WAIN ELECTRICAL CO. LTD |