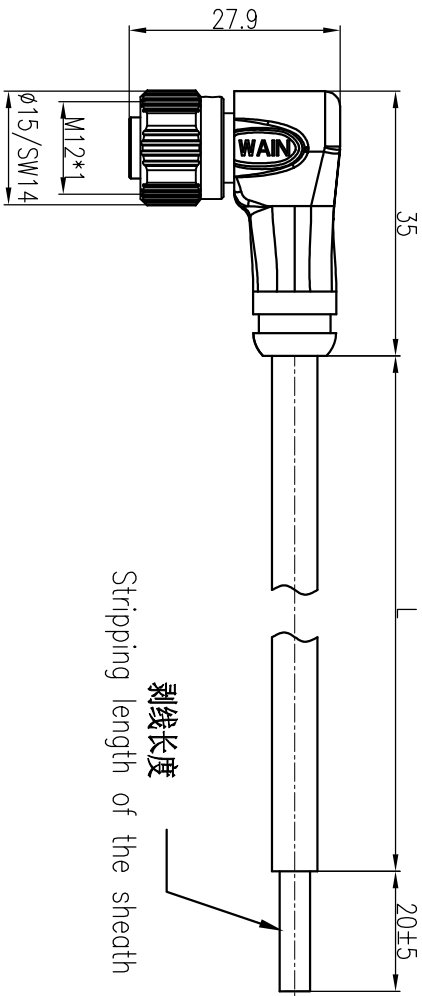


技术参数:

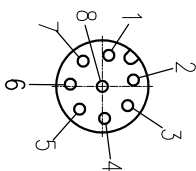
- 产品系列: M12 A-Code
  - 插针数: 8
  - 额定电流(40°C): 2A
  - 额定电压: 60V
  - 额定脉冲电压: 800V
  - 污染等级: 3
  - 接触电阻:  $\leq 10m\Omega$
  - 绝缘电阻:  $\geq 100M\Omega$
  - 锁紧方式: 螺纹式M12\*1
  - 电缆类型: PUR, 黑色RAL9005
  - 线规:  $0.25mm^2(AWG24)$
  - 防护等级: IP67
  - 插拔次数:  $\geq 100$
  - 温度范围:  $-25^{\circ}C \dots +85^{\circ}C$
  - 外壳材料: TPU
  - 插体材料: PA
  - 插针材料: 铜合金
  - 插针电镀材料: 金
- Technical specification:
- Series: M12 A-Code
  - Number of contacts: 8
  - Rated current (40°C): 2A
  - Rated voltage: 60V
  - Rated impulse voltage: 800V
  - Pollution degree: 3
  - Contact resistance:  $\leq 10m\Omega$
  - Insulation resistance:  $\geq 100M\Omega$
  - Connector locking system: screw M12\*1
  - Cable type: PUR, Black RAL 9005
  - Wire gauge:  $0.25mm^2(AWG24)$
  - Degree of protection: IP67
  - Mating cycles:  $\geq 100$
  - Temperature range:  $-25^{\circ}C \dots +85^{\circ}C$
  - Material of housing: TPU
  - Material of insert: PA
  - Material of contact: copper alloy
  - Contact plating: Au



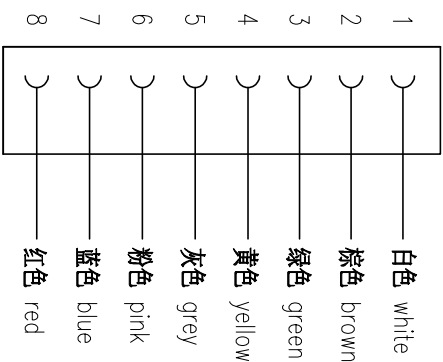
剥线长度  
Stripping length of the sheath

例如型号“M12-F08A-T-L-PUR”, “L”表示带线长度, 单位m。  
Ex: Part code “M12-F08A-T-L-PUR”,  
the “L” represents the cable length, unit m.

针位图  
Contact arrangements



接线图  
Circuit diagram



标记/Mark	本数/Number	变更描述/Description	姓名/Name	日期/Date	表面处理/Finish	材料/Material	比例/Scale	版本/REV.	重量/Weight	数量/Qty.	图号/Drawing No.	产品代号/Part Code	产品料号/Part No.	产品名称/Part Name
TC	CHEN	20.08.2016	标准	20.08.2016	-	-	1:1	V1.1	27.9g	-	-	M12-F08A-S-5.0-PUR	1630085024042	-
审核/Checked	ZM	LIN	20.08.2016	-	批准/Approved	YY	LUO	20.08.2016	All Dimensions in mm Original Size: DIN A 4		厦门唯恩电气有限公司 XIAMEN WANIN ELECTRICAL CO.LTD			