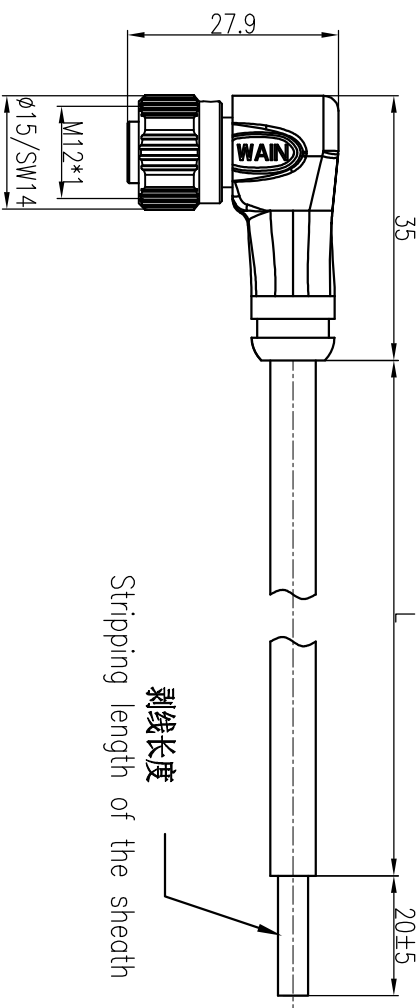


技术参数:

- 产品系列: M12 A-Code
- 插针数: 8
- 额定电流(40°C): 2A
- 额定电压: 60V
- 额定脉冲电压: 800V
- 污染等级: 3
- 接触电阻: $\leq 10m\Omega$
- 绝缘电阻: $\geq 100M\Omega$
- 锁紧方式: 螺纹式M12*1
- 电缆类型: PUR, 黑色RAL9005
- 线规: 0.25mm²(AWG24)
- 防护等级: IP67
- 插拔次数: ≥ 100
- 温度范围: -25°C ... +85°C
- 外壳材料: TPU
- 插体材料: PA
- 插针材料: 铜合金
- 插针电镀材料: 金

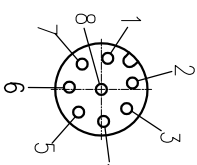
Technical specification:

- Series: M12 A-Code
- Number of contacts: 8
- Rated current (40°C): 2A
- Rated voltage: 60V
- Rated impulse voltage: 800V
- Pollution degree: 3
- Contact resistance: $\leq 10m\Omega$
- Insulation resistance: $\geq 100M\Omega$
- Connector locking system: screw M12*1
- Cable type: PUR, Black RAL 9005
- Wire gauge: 0.25mm²(AWG24)
- Degree of protection: IP67
- Mating cycles: ≥ 100
- Temperature range: -25°C ... +85°C
- Material of housing: TPU
- Material of insert: PA
- Material of contact: copper alloy
- Contact plating: Au

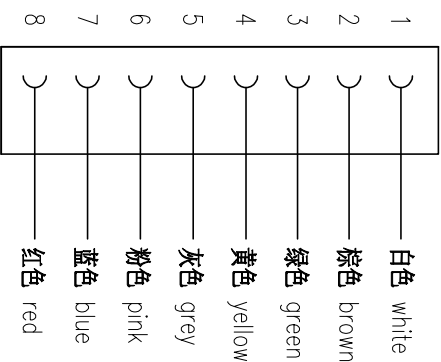


剥线长度
Stripping length of the sheath

针位图
Contact arrangements



接线图
Circuit diagram



例如型号“M12-F08A-T-L-PUR”, “L”表示带线长度, 单位m。
Ex: Part code “M12-F08A-T-L-PUR”,
the “L” represents the cable length, unit m.

标记/Mark	本数/Number	变更描述/Description	姓名/Name	日期/Date	表面处理/Finish	材料/Material	比例/Scale	版本/REV.	重量/Weight	数量/Qty.	图号/Drawing No.	产品代号/Part Code	产品料号/Part No.	产品名称/Part Name
绘图/Drawn	TC	CHEN	20.08.2016	标准化/Standard.			1:1	V1.1				M12-F08A-S-1.5-PUR	1630085024041	
审核/Checked	ZM	LIN	20.08.2016											
工艺/Process	-	-	-	批准/Approved	YY	LUO	20.08.2016							

材料/Material	重量/Weight	数量/Qty. <td>图号/Drawing No.</td> <td>产品代号/Part Code</td> <td>产品料号/Part No.</td> <td>产品名称/Part Name</td>	图号/Drawing No.	产品代号/Part Code	产品料号/Part No.	产品名称/Part Name
				M12-F08A-S-1.5-PUR	1630085024041	

厦门唯恩电气有限公司
XIAMEN WANIN ELECTRICAL CO.LTD