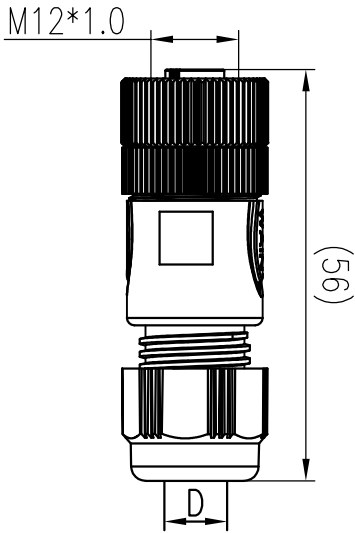


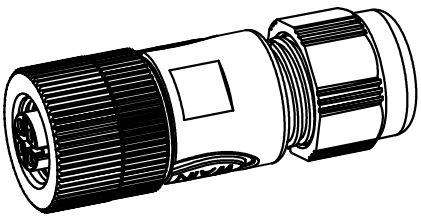
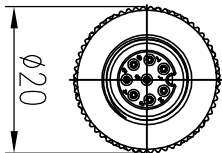
日期/Date

档案员  
Filing Clerk

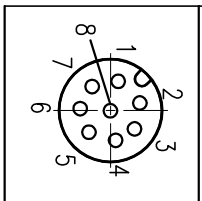
1 2 3 4 5 6



电缆直径:2D5  
Cable outlet:2D5



针位排布图  
Contact arrangement  
8-pole



技术参数:

- 产品系列: M12-A 编码
  - 插针数: 8
  - 额定电流(40°C): 2A
  - 额定电压: 60V
  - 额定脉冲电压: 800V
  - 污染等级: 3
  - 接触电阻: ≤10mΩ
  - 防护等级: IP67
  - 插接次数: >100
  - 温度范围: -40°C...+85°C
  - 绝缘阻抗: >100MΩ
  - 接线方式: 螺钉拧紧
  - 线径范围: max:0.5mm<sup>2</sup> (max:AWG20)
  - 锁紧扭矩: 0.2Nm (螺钉接线)
  - 电缆直径: 2 (2.1-3mm or 4-5mm)
  - 电缆剥线长度: 20mm
  - 导线剥线长度: 5mm
- 材料特性:
- 锁紧螺母: 塑料
  - 插针材料: 铜合金
  - 插针表面处理: 镀金
  - 外壳材料: PA
  - 颜色: RAL 9005 (黑色)
  - 绝缘材料: PA

符合标准: IEC 61076-2-101

Technical specification:

- Series: M12 A-Code
  - Number of contacts: 8
  - Rated current(40°C): 2A
  - Rated voltage: 60V
  - Rated impulse voltage: 800V
  - Pollution degree: 3
  - Contact resistance: ≤10mΩ
  - Degree of protection: IP67
  - Mating cycles: >100
  - Temperature range: -40°C - +85°C
  - Insulation resistance: >100MΩ
  - Termination method: screw connection
  - Wire gauge: max:0.5mm<sup>2</sup> (max:AWG20)
  - Torque: 0.2Nm (screw terminal blocks)
  - Cable Outlet: 2 (2.1-3mm or 4-5mm)
  - Stripping length of the sheath: 20mm
  - Stripping length of the individual wire:5mm
- Material properties :
- Material of locking system: Plastic
  - Material of contact: copper alloy
  - Contact plating: Au
  - Material of housing : PA
  - Colour of housing: RAL 9005 (Black)
  - Material of insert: PA

Standards: IEC 61076-2-101

标记 Mark	数量 Number	变更描述/ Description	姓名/ Name	日期/ Date	批准 Approved
绘图 Drawn	ZM LIN	17.09.2014			YY LUO
审核 Checked	YY LUO	17.09.2014			
工艺 Process					

表面处理 Finish	-	
材料 Material	-	
比例 Scale	1:1	
版本 REV.	V1.0	
重量 Weight	30g	
数量 Qty.	-	
All Dimensions in mm Original Size DIM A 4		

图号 Drawing No.	-	
产品代号 Part Code	M12P-F08A-T-2D5	
产品料号 Part No.	1630084243001	
产品名称 Part Name	-	

厦门唯恩电气有限公司  
XIAMEN WANEN ELECTRICAL CO.LTD