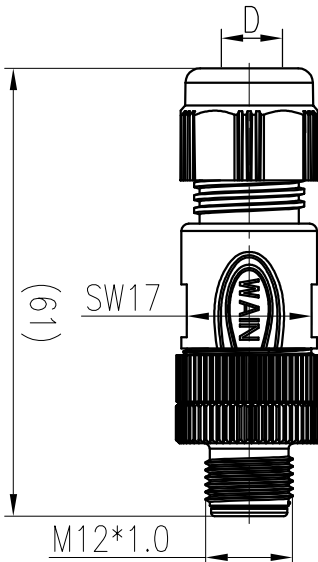
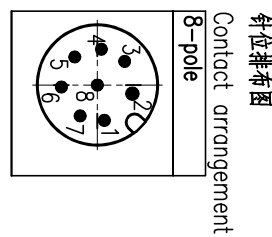


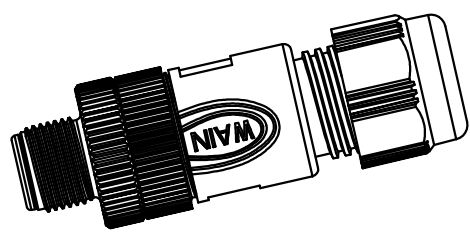
电缆直径:D8  
Cable outlet:D8



M12\*1.0  
SW17  
(61)



- 技术参数:
- 产品系列: M12-A 编码
  - 插针数: 8
  - 额定电流(40°C): 2A
  - 额定电压: 60V
  - 额定脉冲电压: 800V
  - 污染等级: 3
  - 接触电阻: ≤10mΩ
  - 防护等级: IP67
  - 插接次数: >100
  - 温度范围: -40°C...+85°C
  - 绝缘阻抗: >100MΩ
  - 接线方式: 螺钉锁紧
  - 线径范围: max:0.5mm<sup>2</sup> (max:AWG20)
  - 锁紧扭矩: 0.2Nm (螺钉接线)
  - 电缆直径: 6-8mm
  - 电缆剥线长度: 20mm
  - 导线剥线长度: 5mm
- 材料特性:
- 锁紧螺母: 塑料
  - 插针材料: 铜合金
  - 插针表面处理: 镀金
  - 外壳材料: PA
  - 颜色: RAL 9005 (黑色)
  - 绝缘材料: PA
- 符合标准: IEC 61076-2-101
- Technical specification:
- Series: M12 A-Code
  - Number of contacts: 8
  - Rated current(40°C): 2A
  - Rated voltage: 60V
  - Rated impulse voltage: 800V
  - Pollution degree: 3
  - Contact resistance: ≤10mΩ
  - Degree of protection: IP67
  - Mating cycles: >100
  - Temperature range: -40°C - +85°C
  - Insulation resistance: >100MΩ
  - Termination method: screw connection
  - Wire gauge: max:0.5mm<sup>2</sup> (max:AWG20)
  - Torque: 0.2Nm (screw terminal blocks)
  - Cable Outlet: 6-8mm
  - Stripping length of the sheath: 20mm
  - Stripping length of the individual wire:5mm
- Material properties :
- Material of locking system: Plastic
  - Material of contact: copper alloy
  - Contact plating: Au
  - Material of housing : PA
  - Colour of housing: RAL 9005 (Black)
  - Material of insert: PA
- Standards: IEC 61076-2-101



变更记录 Mark		姓名/Name	日期/Date	变更描述/Description	批准 Approved	表面处理 Finish		材料 Material		图号 Drawing No.
数量 Number	姓名/Name	日期/Date	变更描述/Description	批准 Approved	日期 Date	比例 Scale	版本 REV.	重量 Weight	数量 Qty.	产品代号 Part Code
绘图 Drawn	ZM LIN	22.09.2015		标准 Stand.		1:1	V1.0	27g		M12P-M08A-T-D8
审核 Checked	YY LUO	22.09.2015								1630084013003
工艺 Process					YY LUO					