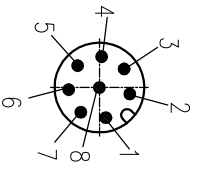
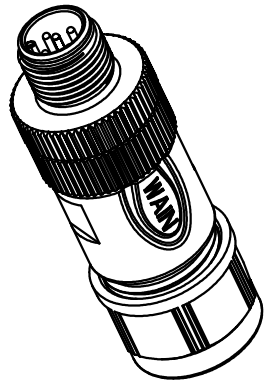
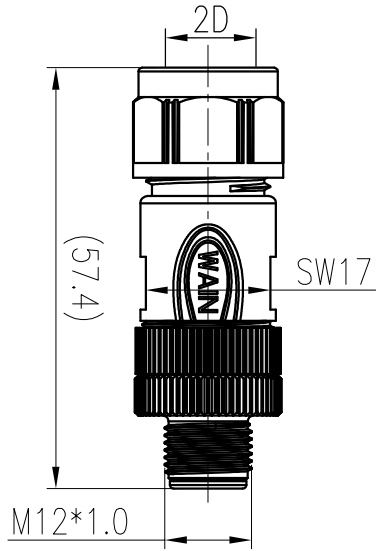


电缆直径:2D5
Cable outlet:2D5



针位排布图
Contact arrangement

技术参数:

- 产品系列: M12 A-Code
- 插针数: 8
- 额定电流(40°C): 2A
- 额定电压: 60V
- 额定脉冲电压: 800V
- 污染等级: 3
- 接触电阻: ≤3mΩ
- 防护等级: IP67
- 插拔次数: >100
- 温度范围: -40°C...+85°C
- 绝缘阻抗: >100MΩ
- 接线方式: 螺钉拧紧
- 线径范围: max:0.5mm² (max:AWG20)
- 锁紧扭矩: 0.2Nm (螺钉接线)
- 电缆直径: 2 (2.1-3mm or 4-5mm)
- 电缆剥线长度: 20mm
- 导线剥线长度: 5mm

Technical specification:

- Series: M12A-Code
 - Number of contacts: 8
 - Rated current(40°C): 2A
 - Rated voltage: 60V
 - Rated impulse voltage: 800V
 - Pollution degree: 3
 - Contact resistance: ≤3mΩ
 - Degree of protection: IP67
 - Mating cycles: >100
 - Temperature range: -40°C - +85°C
 - Insulation resistance: >100MΩ
 - Termination method: screw connection
 - Wire gauge: max:0.5mm² (max:AWG20)
 - Torque: 0.2Nm (screw terminal blocks)
 - Cable Outlet: 2 (2.1-3mm or 4-5mm)
 - Stripping length of the sheath: 20mm
 - Stripping length of the individual wire:5mm
- Material properties :
- Material of locking system: Plastic
 - Material of contact: copper alloy
 - Contact plating: Au
 - Material of housing : PA
 - Colour of housing: RAL 9005 (Black)
 - Material of insert: PA

符合标准: IEC 61076-2-101

Standards: IEC 61076-2-101

变更记录 Mark Number		变更描述/Description		姓名/Name		日期/Date		表面处理 Finish		材料 Material		图号 Drawing No.	
审核 Checked	ZM LIN	19.08.2015	标准化 Stand.	-	-	1:1	V1.0	重量 Weight	数量 Qty.	产品代号 Part Code	产品料号 Part No.	产品名称 Part Name	M12P-M08A-T-2D5
工艺 Process	-	-	批准 Approved	YY LUO	19.08.2015	比例 Scale	版本 REV.	30.5g	-	符合标准 Standards	符合标准 Standards	符合标准 Standards	符合标准 Standards



厦门唯恩电气有限公司
XIAMEN WANI ELECTRICAL CO.LTD