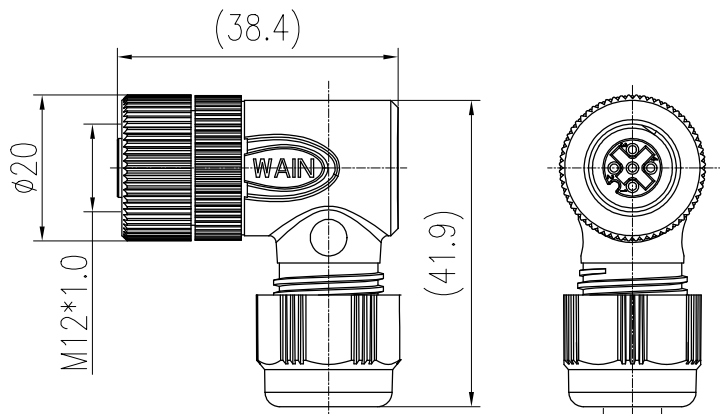
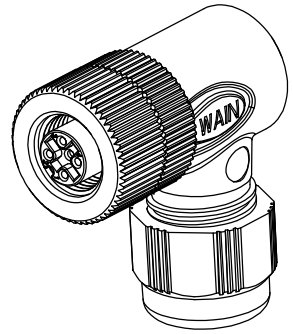
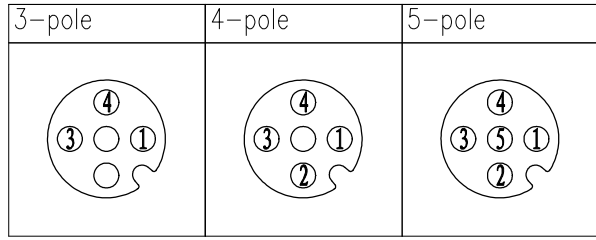


日期/Date  
档案员  
Filing Clerk



电缆直径:D8/D6  
Cable outlet:D8/D6

针位排布图  
Contact arrangement



| 插针数<br>Contacts | 电缆出口直径φ<br>Cable outlet | 产品料号<br>Part No. | 型号<br>Part Code  | 重量<br>Weight |
|-----------------|-------------------------|------------------|------------------|--------------|
| 3               | 4-6 mm                  | 1630035233501    | M12P-FST03A-S-D6 | -g           |
|                 | 6-8 mm                  | 1630035233502    | M12P-FST03A-S-D8 | -g           |
| 4               | 4-6 mm                  | 1630045233500    | M12P-FST04A-S-D6 | -g           |
|                 | 6-8 mm                  | 1630045233501    | M12P-FST04A-S-D8 | -g           |
| 5               | 4-6 mm                  | 1630055233500    | M12P-FST05A-S-D6 | -g           |
|                 | 6-8 mm                  | 1630055233501    | M12P-FST05A-S-D8 | -g           |

技术参数:

- 产品系列: M12-A 编码
- 插针数: 3 4 5
- 额定电流(40℃): 4A 4A 4A
- 额定电压: 250V 250V 125V
- 额定脉冲电压: 2500V 2500V 1500V
- 污染等级: 3
- 接触电阻: <10mΩ
- 防护等级: IP67
- 插拔次数: >100
- 温度范围: -40℃...+85℃
- 绝缘阻抗: >100MΩ
- 接线方式: 焊接
- 线径范围: max.0.75mm<sup>2</sup> (max.AWG18)
- 电缆直径: 4-6mm, 6-8mm

Technical specification:

- Series: M12 A-Code
- Number of contacts: 3 4 5
- Rated current(40℃): 4A 4A 4A
- Rated voltage: 250V 250V 125V
- Rated impulse voltage: 2500V 2500V 1500V
- Pollution degree: 3
- Contact resistance: <10mΩ
- Degree of protection: IP67
- Mating cycles: >100
- Temperature range: -40℃ - +85℃
- Insulation resistance: >100MΩ
- Termination method: solder
- Wire gauge: max.0.75mm<sup>2</sup> (max.AWG18)
- Cable Outlet: 4-6mm, 6-8mm

材料特性:

- 锁紧螺帽: 塑料
- 插针材料: 铜合金
- 插针表面处理: 镀金
- 外壳材料: PA
- 绝缘材料: PA

Material properties:

- Material of locking system: plastic
- Material of contact: copper alloy
- Contact plating: Au
- Material of housing: PA
- Material of Insert: PA

符合标准: IEC 61076-2-101

Standards: IEC 61076-2-101

| 标记<br>Mark    | 处数<br>Number | 变更描述/Description |                | 签名<br>Signature | 日期<br>Date | 表面处理<br>Finish                                     | 图号<br>Drawing No.                             |              |            |                   |                   |
|---------------|--------------|------------------|----------------|-----------------|------------|--|---|--------------|------------|-------------------|-------------------|
| 绘图<br>Drawn   | L CHEN       | 30.10.2023       | 标准化<br>Stand.  | -               | -          | -  | -   |              |            |                   |                   |
| 审核<br>Checked | ZQ XU        | 30.10.2023       |                |                 |            | 材料<br>Material                                     | -   |              |            |                   |                   |
| 工艺<br>Process | -            | -                | 批准<br>Approved | HQ ZHANG        | 30.10.2023 | 比例<br>Scale  | 版本<br>REV.                                    | 重量<br>Weight | 数量<br>Qty. | 产品代号<br>Part Code | M12P-FST0xA-S-Dxx |
|               |              |                  |                |                 |            | 1:1  | V1.0  | -g           | -          | 产品料号<br>Part No.  | -                 |
|               |              |                  |                |                 |            | ⊗ ⊚  | All Dimensions in mm<br>Original Size DIN A 4 |              |            | 产品名称<br>Part Name | -                 |
|               |              |                  |                |                 |            | <b>厦门唯恩电气有限公司</b><br>XIAMEN WAIN ELECTRICAL CO.LTD |   |              |            |                   |                   |