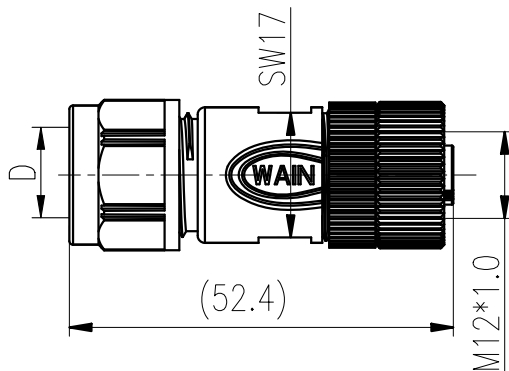
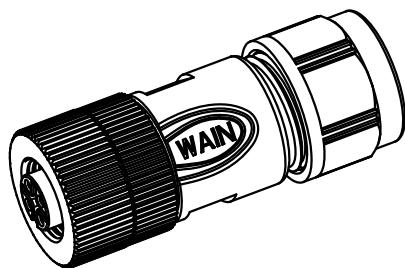
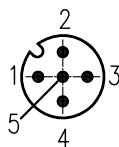


电缆直径:D10
Cable outlet:D10



针位排布图

Contact arrangement



技术参数:

- 产品系列: M12 A-Code
- 插针数: 5
- 额定电流(40°C): 1-4Pin 8A, 5Pin 2A
- 额定电压: 125V
- 额定脉冲电压: 1500V
- 污染等级: 3
- 接触电阻: $\leq 10\text{m}\Omega$
- 防护等级: IP67
- 插拔次数: > 100
- 温度范围: $-40^\circ\text{C} \dots +85^\circ\text{C}$
- 绝缘阻抗: $\geq 100\text{M}\Omega$
- 接线方式: 螺钉锁紧
- 线径范围: $\text{max.}1.5\text{mm}^2$ (max.AWG16)
- 锁紧扭矩: 0.2Nm (螺钉接线)
- 电缆直径: 8-10mm
- 电缆剥线长度: 20mm
- 导线剥线长度: 5mm

材料特性:

- 锁紧螺帽: 塑料
- 插针材料: 铜合金
- 插针表面处理: 镀金
- 外壳材料: PA
- 颜色: RAL 9005 (黑色)
- 绝缘材料: PA

Technical specification:

- Series: M12A-Code
- Number of contacts: 5
- Rated current(40°C): 1-4Pin 8A, 5Pin 2A
- Rated voltage: 125V
- Rated impulse voltage: 1500V
- Pollution degree: 3
- Contact resistance: $\leq 10\text{m}\Omega$
- Degree of protection: IP67
- Mating cycles: > 100
- Temperature range: $-40^\circ\text{C} \dots +85^\circ\text{C}$
- Insulation resistance: $\geq 100\text{M}\Omega$
- Termination method: screw connection
- Wire gauge: $\text{max.}1.5\text{mm}^2$ (max.AWG16)
- Torque: 0.2Nm (screw terminal blocks)
- Cable Outlet: 8-10mm
- Stripping length of the sheath: 20mm
- Stripping length of the individual wire: 5mm

Material properties :

- Material of locking system: Plastic
- Material of contact: copper alloy
- Contact plating: Au
- Material of housing : PA
- Colour of housing: RAL 9005 (Black)
- Material of Insert: PA

Standards: IEC 61076-2-101

符合标准: IEC 61076-2-101

						表面处理 Finish	-			图号 Drawing No.	-
						材料 Material	-			产品代号 Part Code	M12-F05A-T-D10
标记 Mark	处数 Number	变更描述/Description		签名 Signature	日期 Date					产品料号 Part No.	1630054213003
绘图 Drawn	姓名/Name	日期/Date	标准化 Stand.	姓名/Name	日期/Date	比例 Scale	版本 REV.	重量 Weight	数量 Qty.	产品名称 Part Name	-
审核 Checked	YL CHEN	06.12.2023		-	-	1:1	V1.1	22.6g	-		
工艺 Process	-	-	批准 Approved	HQ ZHANG	06.12.2023	All Dimensions in mm Original Size DIN A 4			厦门唯恩电气有限公司 XIAMEN WAIN ELECTRICAL CO.LTD		