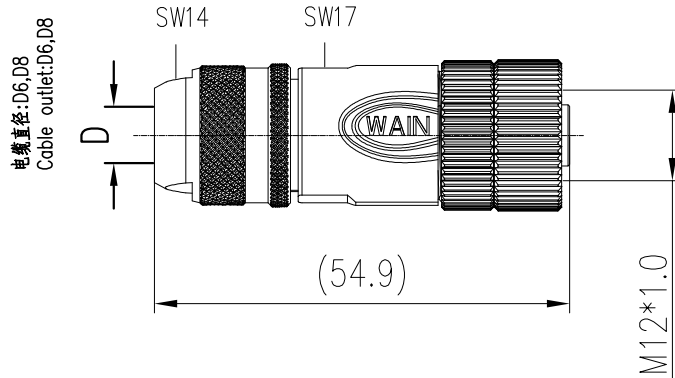
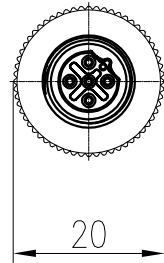


插针数 Contacts	料号 Order No.	产品代号 Part Code	电缆直径(D) Cable outlet	重量 Weight
4	1631044212001	M12-F04B-T-D6-SH	4-6mm	61.7g
	1630044212005	M12-F04B-T-D8-SH	6-8mm	61.5g
5	1630054212006	M12-F05B-T-D6-SH	4-6mm	63.5g
	1631054213003	M12-F05B-T-D8-SH	6-8mm	63.3g



技术参数:

- 产品系列: M12-B 编码
- 插针数: 4 5
- 额定电流(40°C): 4A 4A
- 额定电压: 250V 125V
- 额定脉冲电压: 2500V 1500V
- 污染等级: 3
- 接触电阻: ≤10mΩ
- 防护等级: IP67
- 插拔次数: >100
- 温度范围: -40°C~+85°C
- 绝缘阻抗: ≥100MΩ
- 接线方式: 螺钉锁紧
- 线径范围: max.0.75mm² (max.AWG18)
- 锁紧扭矩: 0.2Nm (螺钉接线)
- 电缆直径: 4-6mm,6-8mm
- 电缆剥线长度: 20mm
- 导线剥线长度: 5mm

Technical specification:

- Series: M12 B-Code
- Number of contacts: 4 5
- Rated current(40°C): 4A 4A
- Rated voltage: 250V 125V
- Rated impulse voltage: 2500V 1500V
- Pollution degree: 3
- Contact resistance: ≤10mΩ
- Degree of protection: IP67
- Mating cycles: >100
- Temperature range: -40°C - +85°C
- Insulation resistance: ≥100MΩ
- Termination method: screw connection
- Wire gauge: max.0.75mm² (max.AWG18)
- Torque: 0.2Nm (screw terminal blocks)
- Cable Outlet: 4~6mm,6-8mm
- Stripping length of the sheath: 20mm
- Stripping length of the individual wire:5mm

材料特性:

- 锁紧螺帽: 金属
- 插针材料: 铜合金
- 插针表面处理: 镀金
- 外壳材料: 锌合金
- 绝缘材料: PA

Material properties:

- Material of locking system: Metal
- Material of contact: copper alloy
- Contact plating: Au
- Material of housing: Zinc die-cast
- Material of Insert: PA

符合标准: IEC 61076-2-101

Standards: IEC 61076-2-101

针位排布图

Contact arrangement

3-pole	4-pole	5-pole

Mark	Number	变更描述/Description		Signature	Date	表面处理 Finish	图号 Drawing No.			
						-	-			
						材料 Material	-			
绘图 Drawn	ZH SU	18.12.2020	标准化 Stand.	-	-	比例 Scale	版本 REV.	重量 Weight	数量 Qty.	
审核 Checked	ZQ XU	18.12.2020				1:1	V1.0	-	-	
工艺 Process	-	-	批准 Approved	HQ ZHANG	18.12.2020	All Dimensions in mm Original Size DIN A 4				
							厦门唯恩电气有限公司 XIAMEN WAIN ELECTRICAL CO.LTD			