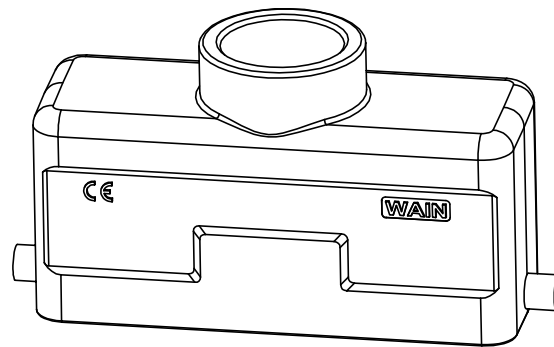
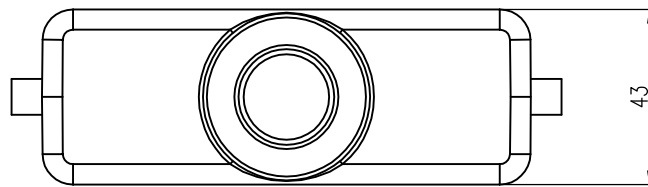
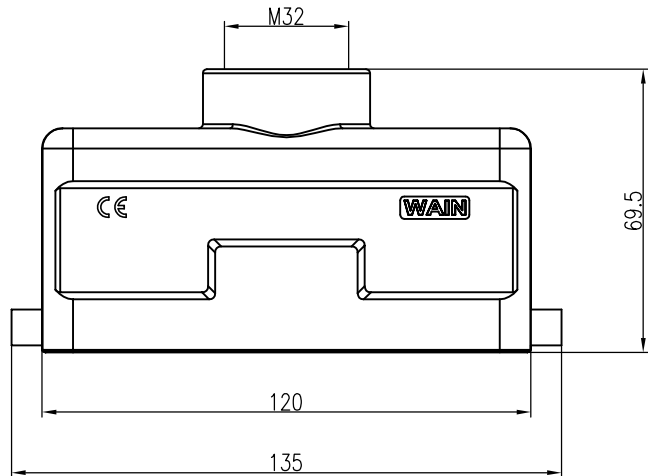


日期/Date  
 档案员  
 Filing Clerk



技术参数:

- 材料: 压铸铝
- 表面处理: 粉末喷涂
- 颜色: RAL 7037 (灰色)
- 温度范围:  $-40^{\circ}\text{C} - +125^{\circ}\text{C}$
- 防护等级: IP67 (联锁状态, IEC 60529)
- 出线方向: 顶出线
- 出线孔数: 1
- 螺纹规格: M32

Technical specification:

- Material: aluminium die-cast
- Surface: powder-coated
- Colour: RAL 7037(grey)
- Temperature range:  $-40^{\circ}\text{C} - +125^{\circ}\text{C}$
- Degree of protection: IP67  
(acc.to IEC 60529 for coupled connector)
- Cable entry: top entry
- No. of cable entries: 1
- Thread size: M32

|               |              |                  |                |          |                 |                |            |   |            |                   |                  |   |               |  |
|---------------|--------------|------------------|----------------|----------|-----------------|----------------|------------|---|------------|-------------------|------------------|---|---------------|--|
|               |              |                  |                |          |                 | 表面处理<br>Finish |            | -   |            | 图号<br>Drawing No. |                  | -   |               |  |
|               |              |                  |                |          |                 | 材料<br>Material |            | -   |            | 产品代号<br>Part Code |                  | WV24B-TE-2B-M32                             |               |  |
| 标记<br>Mark    | 处数<br>Number | 变更描述/Description |                |          | 签名<br>Signature | 日期<br>Date     |            |   |            |                   | 产品料号<br>Part No. |   | 1241244101002 |  |
|               | 姓名/Name      | 日期/Date          |                | 姓名/Name  | 日期/Date         | 比例<br>Scale    | 版本<br>REV. | 重量<br>Weight                                  | 数量<br>Qty. | 产品名称<br>Part Name |                  | -   |               |  |
| 绘图<br>Drawn   | GY HUANG     | 12.12.2023       | 标准化<br>Stand.  | -        | -               | 3:2            | V1.1       | 222g  | -          |                   |                  |   |               |  |
| 审核<br>Checked | Q GAO        | 12.12.2023       |                |          |                 |                |            |   |            |                   |                  |   |               |  |
| 工艺<br>Process | -            | -                | 批准<br>Approved | HQ ZHANG | 12.12.2023      |                |            | All Dimensions in mm<br>Original Size DIN A 4 |            |                   |                  | 厦门唯恩电气有限公司<br>XIAMEN WAIN ELECTRICAL CO.LTD |               |  |