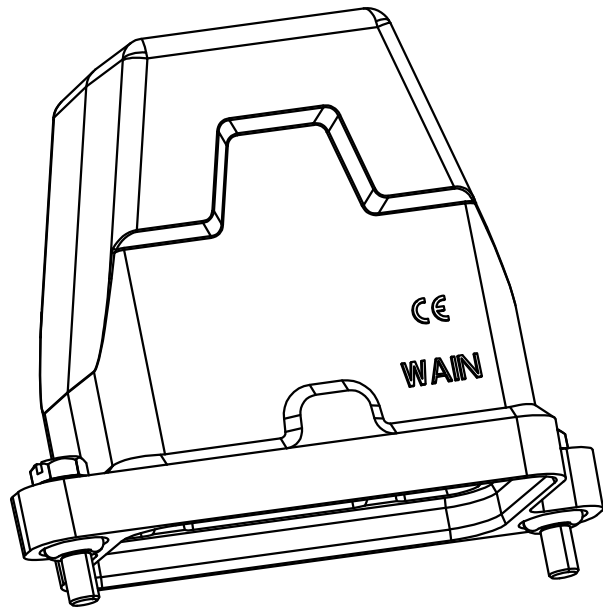


技术参数:

- 材料: 压铸铝
- 表面处理: 粉末喷涂
- 颜色: RAL 9005 (黑色)
- 温度范围: -40°C - +125°C
- 防护等级: IP68/IP69K
- 出线方向: 侧出线
- 出线孔数: 1
- 螺纹规格: PG21

Technical specification:

- Material: aluminium die-cast
- Surface: powder-coated
- Colour: RAL 9005(black)
- Temperature range: -40°C - +125°C
- Degree of protection: IP68/IP69K
- Cable entry: side entry
- No. of cable entries: 1
- Thread size: PG21



|               |              |                  |                |                 |                |             |            |                                               |                   |                                             |               |
|---------------|--------------|------------------|----------------|-----------------|----------------|-------------|------------|-----------------------------------------------|-------------------|---------------------------------------------|---------------|
|               |              |                  |                |                 | 表面处理<br>Finish | -           |            |                                               | 图号<br>Drawing No. | -                                           |               |
|               |              |                  |                |                 | 材料<br>Material | -           |            |                                               | 产品代号<br>Part Code | HP6B/H-SEH-2S-PG21                          |               |
| 标记<br>Mark    | 处数<br>Number | 变更描述/Description |                | 签名<br>Signature | 日期<br>Date     | 比例<br>Scale | 版本<br>REV. | 重量<br>Weight                                  | 数量<br>Qty.        | 产品料号<br>Part No.                            | 1136065205011 |
| 绘图<br>Drawn   | JP HUANG     | 09.01.2024       | 标准化<br>Stand.  | -               | -              | 3:2         | V1.2       | 445g                                          | -                 | 产品名称<br>Part Name                           | -             |
| 审核<br>Checked | Q GAO        | 09.01.2024       |                |                 |                |             |            |                                               |                   |                                             |               |
| 工艺<br>Process | -            | -                | 批准<br>Approved | HQ ZHANG        | 09.01.2024     |             |            | All Dimensions in mm<br>Original Size DIN A 4 |                   | 厦门唯恩电气有限公司<br>XIAMEN WAIN ELECTRICAL CO.LTD |               |