

日期/Date

档案员  
Filing Clerk

1

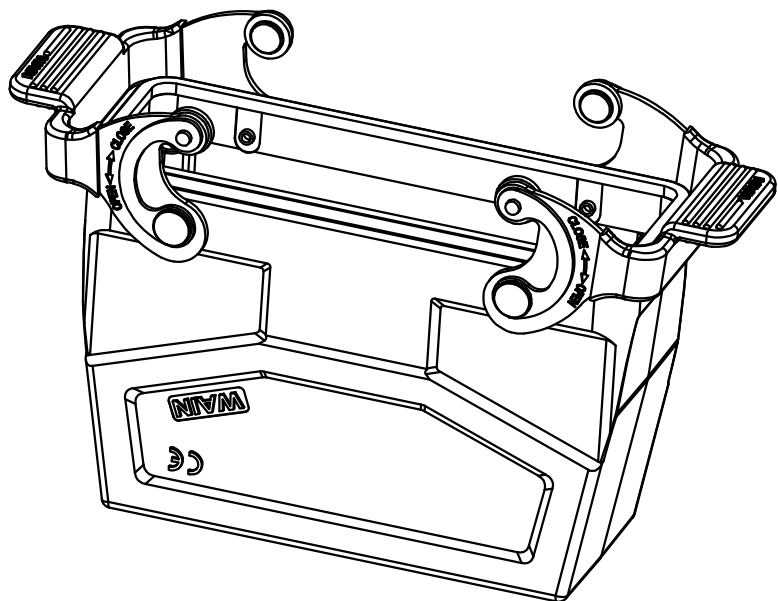
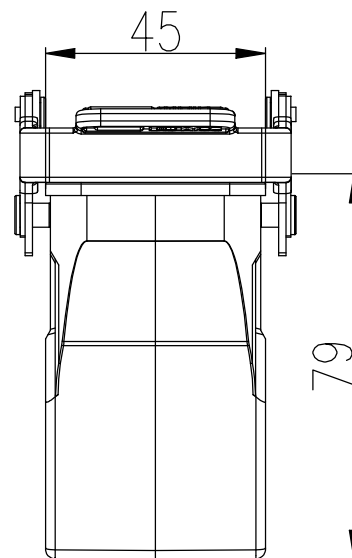
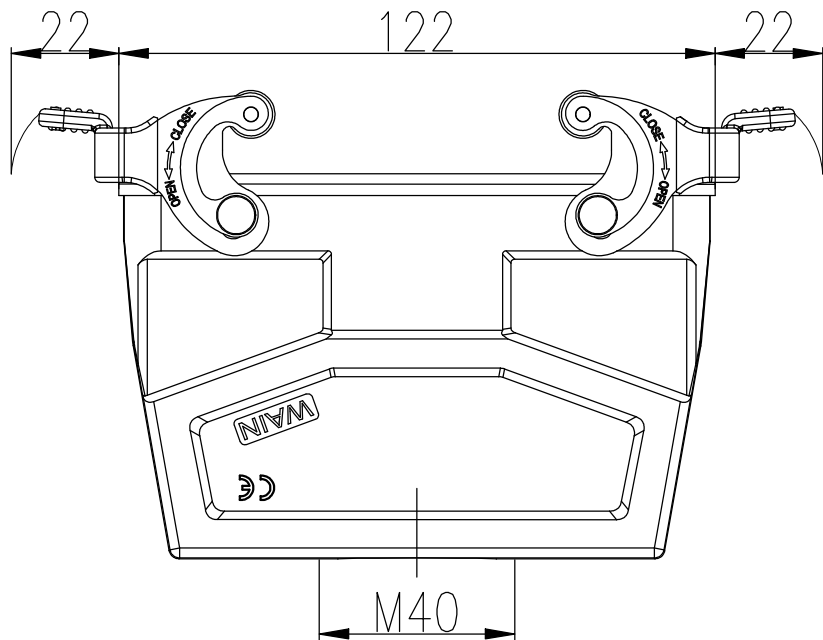
2

3

4

5

6




## 技术参数:

- 材料: 压铸铝
- 表面处理: 粉末喷涂
- 颜色: RAL 7037 (灰色)
- 温度范围:  $-40^{\circ}\text{C} - +125^{\circ}\text{C}$
- 防护等级: IP67 (联锁状态, IEC 60529)
- 联锁元件:
  - 锁扣方式: 金属双扣
  - 材料: 不锈钢+软胶
- 出线方向: 顶出线
- 出线孔数: 1
- 螺纹规格: M40
- 密封元件: NBR

## Technical specification:

- Material: aluminium die-cast
- Surface: powder-coated
- Colour: RAL 7037(grey)
- Temperature range:  $-40^{\circ}\text{C} - +125^{\circ}\text{C}$
- Degree of protection: IP67  
(acc.to IEC 60529 for coupled connector)
- Locking element:
  - Locking type: double locking latch
  - material: stainless steel+TPR
- Cable entry: top entry
- No. of cable entries: 1
- Thread size: M40
- Hoods/Housings sealing: NBR

|               |              |                  |                |                 |            |   |            |  |            |                     |  |
|---------------|--------------|------------------|----------------|-----------------|------------|---|------------|--|------------|---------------------|--|
|               |              |                  |                | 表面处理<br>Finish  |            | -   |            | 图号<br>Drawing No.  |            | -                   |  |
|               |              |                  |                | 材料<br>Material  |            | -   |            | 产品代号<br>Part Code  |            | W24B-CCTH-2L/SC-M40 |  |
| 标记<br>Mark    | 处数<br>Number | 变更描述/Description |                | 签名<br>Signature | 日期<br>Date |   |            | 产品料号<br>Part No.   |            | 1111247415003       |  |
| 姓名/<br>Name   | 日期/<br>Date  |                  |                | 姓名/Name         | 日期/Date    | 比例<br>Scale                                   | 版本<br>REV. | 重量<br>Weight   | 数量<br>Qty. | 产品名称<br>Part Name   |  |
| 绘图<br>Drawn   | P YU         | 29.12.2023       | 标准化<br>Stand.  | -               | -          | 2:3   | V1.2       | 343g   | -          | -                   |  |
| 审核<br>Checked | Q GAO        | 29.12.2023       |                |                 |            |   |            |  |            | -                   |  |
| 工艺<br>Process | -            | -                | 批准<br>Approved | HQ ZHANG        | 29.12.2023 | All Dimensions in mm<br>Original Size DIN A 4 |            |  厦门唯恩电气有限公司<br>XIAMEN WAIN ELECTRICAL CO.,LTD |            |                     |  |

1

2

3

4

5

6