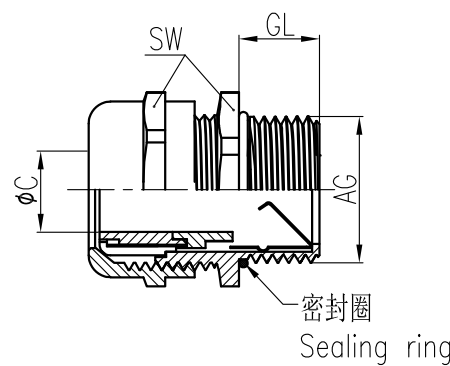
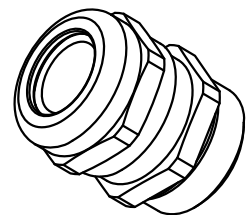


M公制螺纹/Metric Thread								
序号 No.	产品名称 Part code	产品料号 Part NO.	螺纹规格 Thread size	扳手尺寸SW Wrench size	卡口范围 Clamping range	螺纹外径AG Thread diameter	螺纹长度GL Thread length	重量/Weight g
1	WNAC-M12(D3-6)	102117011502	M12*1.5	14	3-6	12	7	11.4
2	WNAC-M12(D3-6.5)	102117011001	M12*1.5	14	3-6.5	12	5	11.1
3	WNAC-M16(D4-8)	1021170131001	M16*1.5	20	4-8	116	6	23
4	WNAC-M18(D5-10)	1021170141001	M18*1.5	20	5-10	18	6	27
5	WNAC-M20(D6-12)	1021170151001	M20*1.5	24	6-12	20	7	36.4
6	WNAC-M20(D10-14)	1021170151002	M20*1.5	24	10-14	20	7	34.4
7	WNAC-M24(D8-14)	1021170171001	M24*1.5	27	8-14	24	7	45
8	WNAC-M25(D10-16)	1021170181002	M25*1.5	30	10-16	25	12	61.8
9	WNAC-M25(D13-18)	1021170181001	M25*1.5	30	13-18	25	13	60.5
10	WNAC-M30(D13-18)	1021170381001	M30*1.5	35	13-18	30	8	85
11	WNAC-M32(D15-22)	1021170191002	M32*1.5	40	15-22	32	13	110.4
12	WNAC-M32(D18-25)	1021170191001	M32*1.5	40	18-25	32	13	104
13	WNAC-M36(D18-25)	1021170401001	M36*1.5	40	18-25	36	8	150
14	WNAC-M40(D21-30)	1021170201002	M40*1.5	50	21-30	40	9	168
15	WNAC-M40(D22-32)	1021170201001	M40*1.5	50	22-32	40	9	147.6
16	WNAC-M48(D22-32)	1021170451001	M48*1.5	50	22-32	48	9	185
17	WNAC-M50(D30-38)	1021170461001	M50*1.5	57	30-38	50	9	210
18	WNAC-M56(D30-38)	1021170471001	M56*1.5	57	30-38	56	9	220
19	WNAC-M63(D37-44)	1021170481001	M63*1.5	65	37-44	63	10	239

PG制螺纹/PG Thread								
序号 No.	产品名称 Part code	产品料号 Part NO.	螺纹规格 Thread size	扳手尺寸SW Wrench size	卡口范围 Clamping range	螺纹外径AG Thread diameter	螺纹长度GL Thread length	重量/Weight g
1	WNAC-PG7(D3-6.5)	1021170011001	PG7	14	3-6.5	12.5	5	13
2	WNAC-PG9(D4-8)	1021170021001	PG9	18	4-8	15.2	6	17
3	WNAC-PG11(D5-10)	1021170031001	PG11	20	5-10	18.6	6	25.2
4	WNAC-PG13.5(D6-12)	1021170041001	PG13.5	24	6-12	20.4	7	36.2
5	WNAC-PG16(D8-14)	1021170051001	PG16	24	8-14	22.5	7	89.2
6	WNAC-PG21(D13-18)	1021170061001	PG21	30	13-18	28.3	8	66.8
7	WNAC-PG29(D18-25)	1021170071001	PG29	40	18-25	37	8	132
8	WNAC-PG36(D22-32)	1021170081001	PG36	50	22-32	47	9	204
9	WNAC-PG42(D30-38)	1021170091001	PG42	57	30-38	54	9	220



技术参数:

- 材料:
  - 主体: 黄铜镀镍
  - 密封元件: 尼龙66和丁腈橡胶
- 温度范围: -40°C-100°C, 短时间可以达到120°C
- 防护等级: IP68 (在使用O型圈的情况下)

Technical specification:

- Material:
  - Body: nickel-plated brass
  - Sealing: nylon and NBR
- Temperature range: -40°C-100°C, short-term 120°C
- Degree of protection: IP68(with O-sealing)

表面处理 Finish		-		图号 Drawing No.		-	
材料 Material		-		产品代号 Part Code		WNAC-M40(D22-32)	
标记 Mark		处数 Number		变更描述/Description		产品料号 Part No.	
姓名/Name		日期/Date		姓名/Name		日期/Date	
BQ LUO		18.10.2010		-		-	
审核 Checked		P RAO		18.10.2010		-	
工艺 Process		-		批准 Approved		YY LIN	
比例 Scale		版本 REV.		重量 Weight		数量 Qty.	
1:1		V1.1		147.6g		-	
All Dimensions in mm Original Size DIN A 4		图号 Drawing No.		产品名称 Part Name		-	
WATN		厦门唯恩电气有限公司 XIAMEN WAIN ELECTRICAL CO.LTD		-		-	