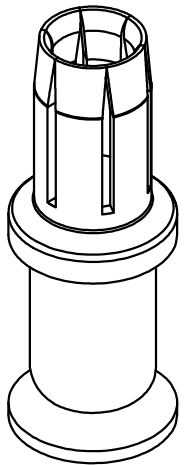
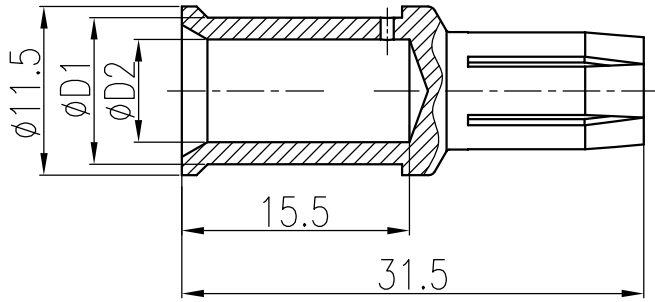


| 日期/Date | 档案员<br>Filing Clerk | 1                 |                  | 2                                |     | 3   |                          | 4              |  | 5 |  | 6 |  |  |
|---------|---------------------|-------------------|------------------|----------------------------------|-----|-----|--------------------------|----------------|--|---|--|---|--|--|
|         |                     | 产品代号<br>Part code | 产品料号<br>Part NO. | 线径/Wire Gauge<br>mm <sup>2</sup> | D1  | D2  | 剥线长度<br>Stripping length | 重量/Weight<br>g |  |   |  |   |  |  |
|         |                     | CKSF70-6          | 1010341201301    | 6                                | 5   | 3.5 | 15.5                     | 6.8            |  |   |  |   |  |  |
|         |                     | CKSF70-10         | 1010341201401    | 10                               | 5.6 | 4.3 | 15.5                     | 8              |  |   |  |   |  |  |
|         |                     | CKSF70-16         | 1010341201501    | 16                               | 8.5 | 5.5 | 15.5                     | 8.8            |  |   |  |   |  |  |



技术参数:

- 材料: 铜合金
- 表面处理: 镀银
- 额定电流: 70A
- 接触电阻:  $\leq 0.5\text{m}\Omega$
- 线径范围:  $16\text{mm}^2$
- 最大电缆直径: 11mm
- 可插拔次数:  $> 500$
- 电缆绞线标准: IEC 60228-5

Technical specification:

- Material: copper alloy
- Surface: hard-silver plated
- Rated current: 70A
- Contact resistance:  $\leq 0.5\text{m}\Omega$
- Wire gauge:  $16\text{mm}^2$
- Max. insulation diameter: 11mm
- Mating cycles:  $> 500$
- For stranded fine wire acc. to: IEC 60228-5

|               |  |              |  |                  |  |                 |  |            |  |                   |  |   |  |
|---------------|--|--------------|--|------------------|--|-----------------|--|------------|--|-------------------|--|---|--|
|               |  |              |  |                  |  | 表面处理<br>Finish  |  | -          |  | 图号<br>Drawing No. |  | -   |  |
|               |  |              |  |                  |  | 材料<br>Material  |  | -          |  | 产品代号<br>Part Code |  | CKSF70-16                                     |  |
| 标记<br>Mark    |  | 处数<br>Number |  | 变更描述/Description |  | 签名<br>Signature |  | 日期<br>Date |  | 产品料号<br>Part No.  |  | 1010341201501                                 |  |
|               |  | 姓名/Name      |  | 日期/Date          |  | 姓名/Name         |  | 日期/Date    |  | 比例<br>Scale       |  | 版本<br>REV.                                    |  |
| 绘图<br>Drawn   |  | BQ LUO       |  | 18.10.2010       |  | 标准化<br>Stand.   |  | -          |  | 2:1               |  | 重量<br>Weight                                  |  |
| 审核<br>Checked |  | P RAO        |  | 18.10.2010       |  |                 |  |            |  | 8.8g              |  | 数量<br>Qty.                                    |  |
| 工艺<br>Process |  | -            |  | -                |  | 批准<br>Approved  |  | YY LIN     |  | 18.10.2010        |  | All Dimensions in mm<br>Original Size DIN A 4 |  |
|               |  |              |  |                  |  |                 |  |            |  |                   |  | 厦门唯恩电气有限公司<br>XIAMEN WAIN ELECTRICAL CO.LTD   |  |